

MULCHERS

TORNADO 450

TORNADO 470

TORNADO 560

TORNADO L

SIDECHOPPER 420 / 460 PRO

TPM 520



ELHO - MADE IN FINLAND



ELHO has vast experience in developing and manufacturing mulchers for professional use.

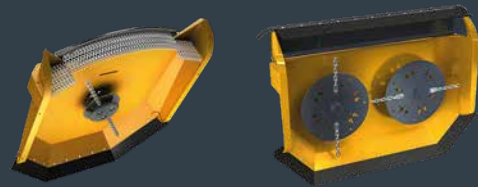
ELHO mulchers are powerful and safe Finnish-made machines for full-time contracting. ELHO's comprehensive range ensures the ideal mulcher for your needs – one that has been designed and manufactured for the demanding conditions in Finland.



ELHO Tornado chain mulchers are designed for maximum durability. They are ideal for rocky areas where the height of the stubble is not a priority. The robust mulcher units and thick chains clear even thick thickets.



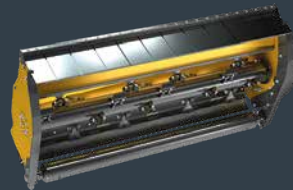
ELHO SideChopper Pro rotor mulchers have heavy hammer knives that clear even thick thickets. The adjustable high skids ensure an extremely clean and precise cutting result. The sturdy structure and long side shift make these mulchers durable and versatile.



ELHO Tornado chain mulchers	4
Tornado 450	5
Tornado 470	6
Tornado 560	7
Tornado L	8

Technical specifications

Chain mulchers	9
----------------------	---



ELHO SideChopper rotor mulchers	10
SideChopper 420 / 460 Pro	11

The **ELHO TPM 520** has been designed for full-time contracting and is the perfect choice for contractors, municipalities, road maintenance teams, forest road associations and other demanding users. The extensive reach and working width provide access to even the most challenging places.

The TPM 520 PowerArm can be fitted to either a SideChopper 210 PRO rotor mulcher or Tornado 210 chain mulcher.



ELHO TPM

TPM 520	12
SideChopper 210 Pro	13
Tornado 210	13

Technical specifications

Rotor mulchers	14
TPM 520	14

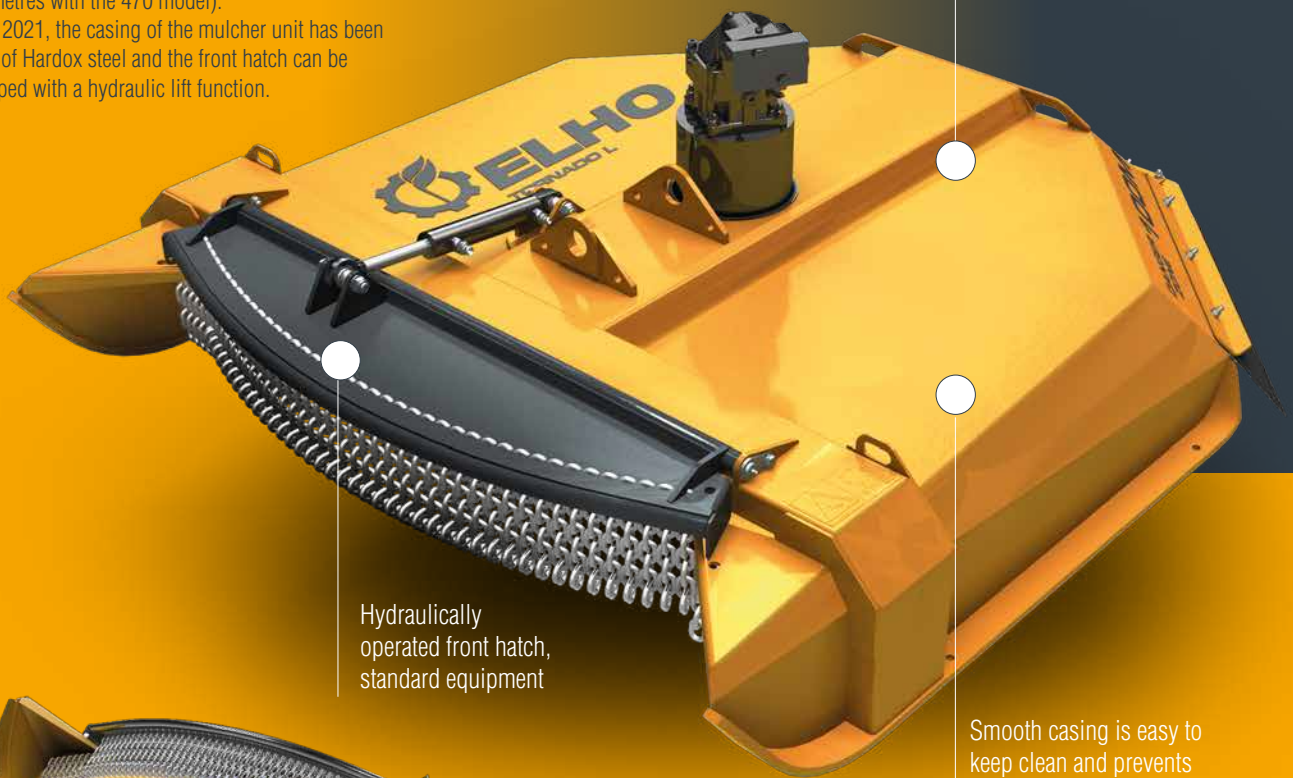


ELHO TORNADO CHAIN CUTTING HEAD

All **ELHO Tornado** models, with the exception of the 470 model, feature the same durable mulcher unit that is ideal for rocky and demanding conditions. The optimal design of the mulcher unit stiffens the light structure and provides a cutting width of 1.6 metres (1.8 metres with the 470 model).

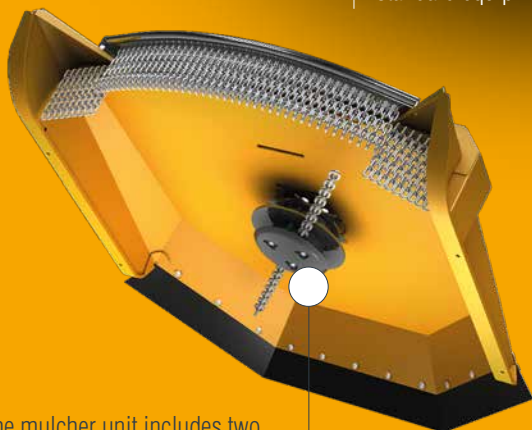
Since 2021, the casing of the mulcher unit has been made of Hardox steel and the front hatch can be equipped with a hydraulic lift function.

Low weight
Hardox steel



Hydraulically operated front hatch, standard equipment

Smooth casing is easy to keep clean and prevents accumulation of debris



The mulcher unit includes two chains with hardened 13 mm links and a link storage compartment

Heavy-duty mulcher unit redesigned in 2021. Flywheel standard (optional on 450/L models)



ELHO TORNADO CHAIN MULCHERS

- DURABLE
- EXTENSIVE REACH
- EASY TO USE
- LOW WEIGHT



TORNADO 450

ELHO Tornado chain mulchers
– designed for heavy professional use



The design of the frame structure offers excellent visibility to the implement

The strong, durable structure provides extensive reach

Hydraulic impact protection that lifts the mulcher unit

Wide and heavy-duty side shift. Side shift 1.8 m

3-point linkage redesigned in 2020

Flywheel optional



The popular Tornado 440 chain mulcher was redesigned in 2020 and is now the Tornado 450. The new ELHO Tornado 450 features a wider and more stable 3-point linkage, and the casing of the mulcher unit is now made of Hardox steel. The accessories have also been upgraded and now include a rotor casing with a flywheel and hydraulic front hatch.

The chains of the ELHO Tornado mulcher unit are hardened and have a material thickness of 13 mm. The wide mulcher unit cuts/mulches extremely well, and the chain head houses a link storage compartment. The transmission between the tractor and the mulcher unit is implemented with a PTO shaft and a sturdy bevel gear. The casing is sturdy and easy to keep clean.

The frame and side shift construction of the Tornado 450 is familiar from the SideChopper Pro series. The strong, durable structure provides extensive reach, and the design of the frame offers excellent visibility from the cab. The mulcher unit has passed the stone chipping test in accordance with the EN 13524 standard.

ELHO Tornado chain mulchers

- Efficient, durable and reliable, especially in rocky conditions
- Complies with EN 13524 standard for stone chipping



Watch video



Read more

TORNADO 560

Extended reach with
V-belt transmission



Tilt function
that can be utilised
at any working angle

3-point linkage
redesigned
in 2020

New frame construction
that does not affect
PTO shaft angle

Flywheel
standard

4 SPC V-belt
transmissions



The Tornado 560 is a mechanically driven chain mulcher with an impressive working reach of 5.5 metres. The V-belt transmission enables the reach to be extended even further compared to other models. Another great advantage is that the gearbox is fixed to the side bar pivot point, so the PTO shaft angle is not affected by the side bar position. This means that the mulcher can be used at any angle that the side bar is in.

The Tornado 560 comes as standard with mulcher unit tilt. The tilt angle is an impressive 50 degrees and can be used regardless of the side bar position. The tilt function is protected by a pressure relief valve. The tilt function can also be used in the floating position. The front hatch can be equipped with a hydraulic lift function. The mulcher unit comes as standard with a steel disc that works as a flywheel to smoothen the rotation and help hold the chains down in the working position.



Watch video



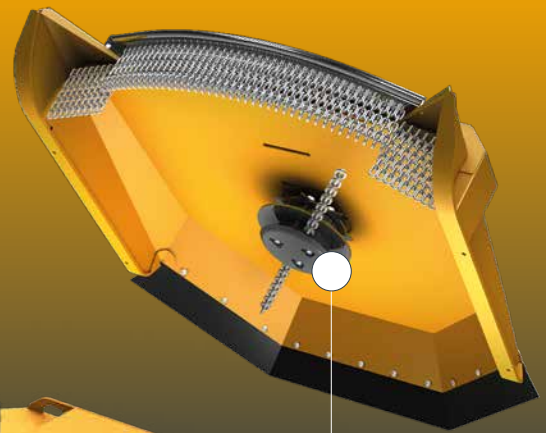
Read more

TORNADO L

Hydraulic chain cutting head
for boom machines



Hydraulically operated
front hatch,
standard equipment



Flywheel optional



The Tornado L is a cutting head with two chains that is suitable for boom machines. The cutting head is designed for use with excavators, forest loaders and other machines with sufficient hydraulic output. The lightweight yet sturdy structure is made of Hardox steel, ensuring excellent performance.

The chain unit includes two chains with hardened 13 mm links and a link storage compartment.

The beam connection comes as standard.

ELHO Tornado L

- Efficient
- Durable and reliable, especially in rocky areas



Read more



TECHNICAL SPECIFICATIONS CHAIN MULCHERS



	Tornado 450	Tornado 470	Tornado 560	Tornado L
Tractor power requirement, min/max, kW *)	50-81	50-80	50-90	
Minimum recommended tractor weight, kg*	3500	4000	5000	
Cutting width, m	1,6	1,8	1,6	1,6
Maximum reach, m	4,4	4,7	5,5	
Hydraulic side shift, m	1,8	1,8	1,8	
Mulcher unit tilt (up/down)	90°/40°	90°/36°	90°/45°	
Weight, kg	930	1080	1220	390
PTO, rpm	540	540	750	
Hydraulic pressure, min/max bar	170-210	170-200	170-200	200-380
3 point linkage	Cat.2	Cat.2	Cat.2	
Hydraulic connection-single action	1	1	1	1
Hydraulic connection-double action	2	3	3	
Hydraulic connection-free return	-	-	1	1
Friction torque limiter	X	X	X	
Overrunning clutch	-	-	X	
Max oil flow				120l/min

*) The recommended tractor weight and power depend on the conditions X = Standard O = Optional – = Not available Additional equipment: www.elho.fi



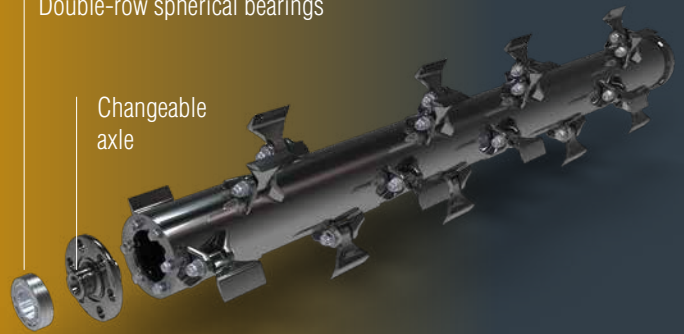


ELHO SIDECHOPPER ROTOR HEAD

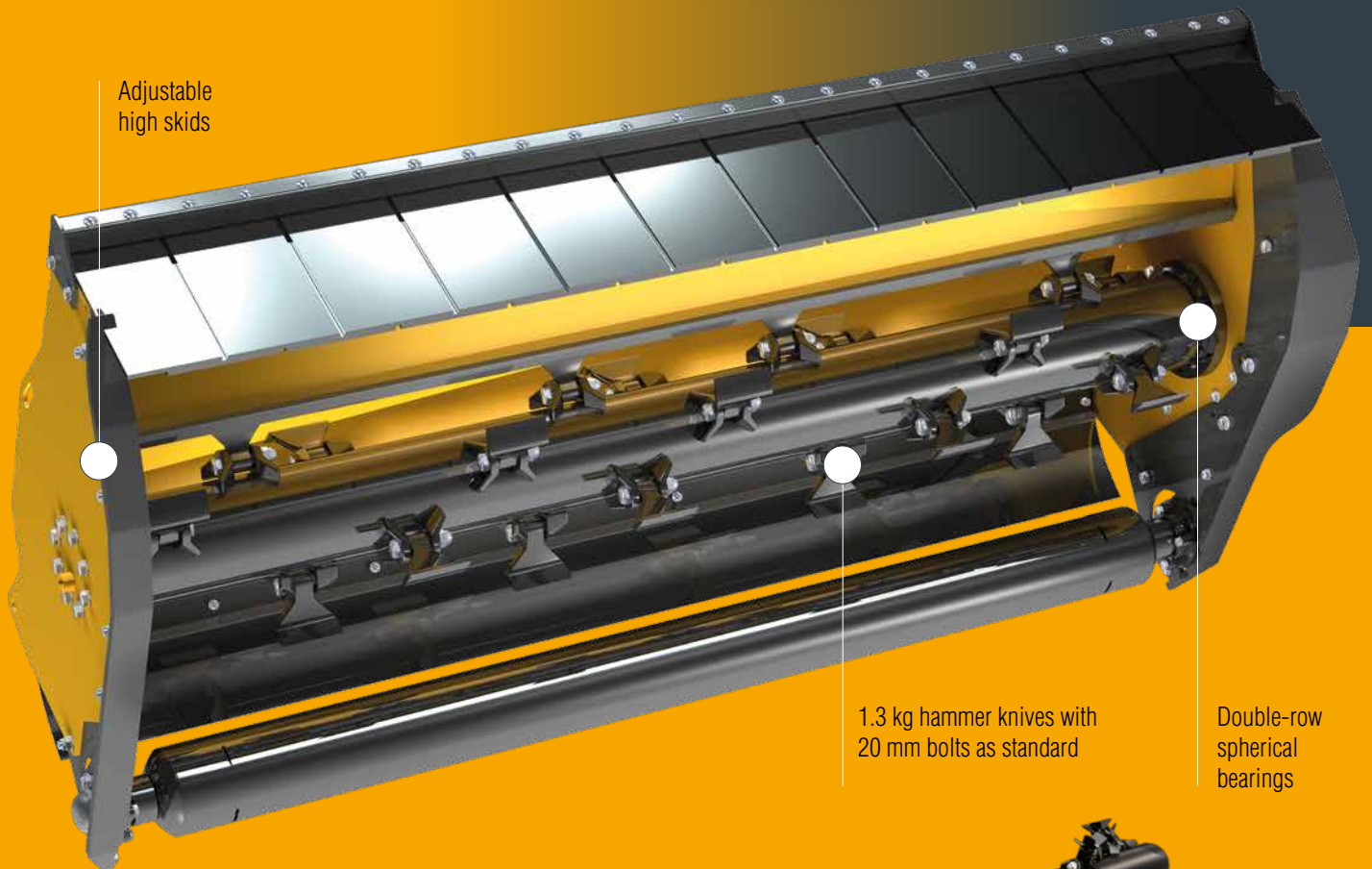
ELHO SideChopper rotor mulchers feature durable 1.3 kg hammer knives with 20 mm bolts as standard. The hammer knives produce an extremely clean and precise cutting result. Highly efficient YI knife sets are also available that require less power for mowing lush grass and fallow land.

Double-row spherical bearings

Changeable axle



Adjustable high skids



1.3 kg hammer knives with 20 mm bolts as standard

Double-row spherical bearings



ELHO SIDECHOPPER ROTOR HEAD

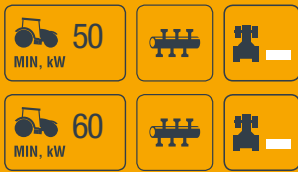
- DURABLE
- EXTENSIVE REACH
- EASY TO USE



YI knife sets available as an option

SIDETCHOPPER 420 / 460 PRO

Effective mulcher for professional bush, shrub and brushwood clearances, roadside mowing, managing fallow land and pastures, and forest roadside mowing.



ELHO SideChopper 420 ja 460 Pro models are reliable machines that are designed for demanding conditions and contracting. These rotor mulchers clear large, thick and high thickets and even small trees.

ELHO SideChopper 420 Pro

- Extensive reach: 4.2 metres
- Cutting width: 2.1 metres

ELHO SideChopper 460 Pro

- Extensive reach: 4.6 metres
- Cutting width: 2.4 metres

For professional contracting and demanding applications

- Designed in Finland for rocky conditions



Watch video



Read more

TPM 520 POWERARM

A powerful mulcher arm for professional contracting



Extensive reach

Counterweight

Hydraulic impact protection

The ELHO TPM 520 PowerArm has been designed for full-time contracting and is the perfect choice for contractors, municipalities, road maintenance teams, forest road associations and other demanding users. The extensive reach and working width provide access to even the most challenging places.

The power transmission is fully mechanical all the way to the rotor through high-powered V-belts and a bevel gear. The cutting head can be used in all positions and angles, even upside-down above the cab. Horizontal and vertical movements are adjusted hydraulically, and the PTO shaft is equipped with an over running clutch.

The TPM 520 PowerArm can be fitted to either a SideChopper 210 PRO rotor mulcher or Tornado 210 chain mulcher.

ELHO TPM 520

- Flexible: can be used in any position
- Low operating costs
- Designed in Finland for rocky conditions
- Cutting width: 2.1 metres



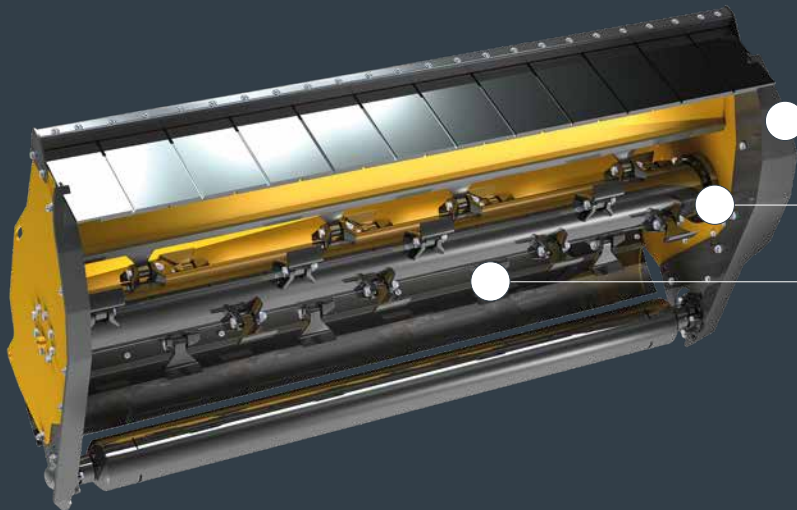
Watch video



Read more

SIDECHOPPER 210 PRO

Rotor mulcher



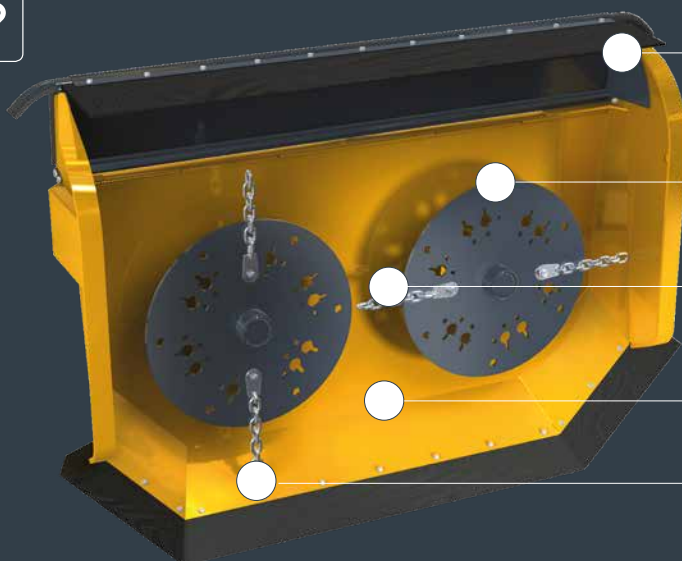
Adjustable high skirts

Double-row spherical bearings

1.3 kg hammer knives with 20 mm bolts as standard

TORNADO 210

Chain mulcher



Hydraulically operated front hatch

Each chain hub has a large flywheel

Chains rotate inwards, allowing the mulcher to suck material from the centre and release it straight back

Mulcher unit made of Hardox steel

Chains attached to flywheels can be replaced with knives



Watch video



TECHNICAL SPECIFICATIONS ROTOR MULCHERS



	SideChopper 420 Pro	SideChopper 460 Pro	TPM 520 PowerArm SideChopper 210 Tornado 210	
Tractor power requirement, min/max, kW *)	50-80	60-100	70-110	
Minimum recommended tractor weight, kg*	4000	5000	6500	
Cutting width, m	2,1	2,4	2,1	2,1
Maximum reach, m	4,2	4,6	5,2	
Hydraulic side shift, m	1,8	1,8	3	
Mulcher unit tilt (up/down)	90°/45°	90°/45°	180°/90°	
Hammer blades	20	24	20	
Chains/knives				4
Weight, kg	1100	1250	2700	2690
PTO, rpm	540	540	1000	
Hydraulic pressure, min/max bar	170-210	170-210	170-210	
3 point linkage	Cat.2	Cat.2	Cat.3	
Hydraulic connection-single action	1	1		
Hydraulic connection-double action	1	1	4	5
Hydraulic connection-free return			1	
Overrunning clutch	X	X	X	

*) The recommended tractor weight and power depend on the conditions X = Standard 0 = Optional – = Not available Additional equipment: www.elho.fi

Technical specifications are provided without obligation and may be amended without prior notice.
Rights to structural changes are reserved.
The price list valid at the time of sale takes precedent in matters of prices and equipment.
Contact your local dealer for more information.





Your local ELHO dealer

Manufacturer

OY EL-HO AB

Teollisuustie 6

FI-68910 Pännäinen, Finland

Tel. +358 6 7888 000

elho@elho.fi

www.elho.fi